

## INSTALLATION INSTRUCTIONS

### 24" SLIDING SHELF (SS) AND DEEP SLIDING SHELF (DSS)

#### KIT INCLUDES:

##### SS

- (1) DRAWERS W/GUIDES ATTACHED
- (4) C2312—PLASTIC MOUNTING BLOCKS
- (1) C2145—LH CABINET MEMBERS
- (1) C2147—RH CABINET MEMBERS
- (8) B7934—11.5mm EURO SCREWS
- (4) B7905— #8 X 5/8" TRUSS HEAD SCREWS

##### DSS

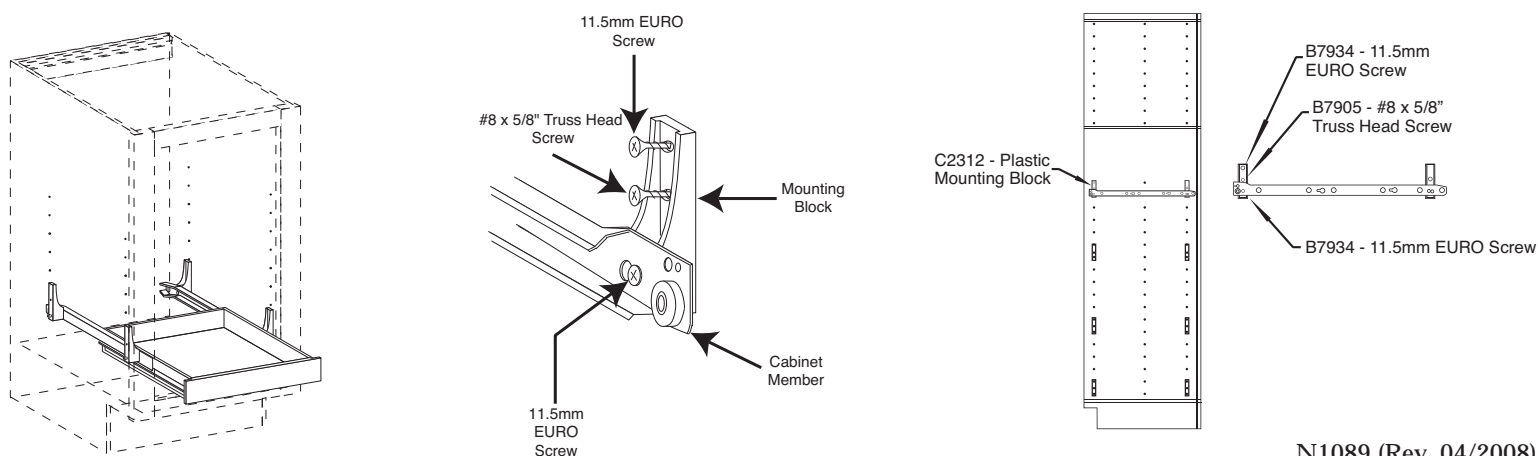
- (2) DRAWERS W/GUIDES ATTACHED
- (8) C2312—PLASTIC MOUNTING BLOCKS
- (2) C2145—LH CABINET MEMBERS
- (2) C2147—RH CABINET MEMBERS
- (16) B7934—11.5mm EURO SCREWS
- (8) B7905— #8 X 5/8" TRUSS HEAD SCREWS

#### Instructions for installation in single door and butt door base cabinets and utility cabinets

1. Before beginning installation, check to be sure that all of the components are present and read the instructions thoroughly. It will be necessary to remove the adjustable shelf when installing the SS & DSS.
  2. Position the mounting blocks at the desired locations, (1) in the front set of holes and (1) in the rear, by inserting the peg on the block into a shelf clip hole. Generally, when installing the SS & DSS, (1) drawer is located as close to the cabinet floor as possible. Secure the mounting blocks to the end panels using (1) 11.5mm EURO screw\* and (1) 5/8" truss head screw per block (see detail).
- \* **Note: To prevent stripping, it is recommended that a POZI tip screw driver not a screw gun be used to install Euro Screws. If a POZI tip is not available, a standard phillips screw driver will work if used carefully.**
3. Position the appropriate cabinet members on the sets of mounting blocks and secure, front and back, using the 11.5mm EURO screws (see detail).
  4. Install the drawer unit(s).

#### Base Cabinet With Center Frame Mullion

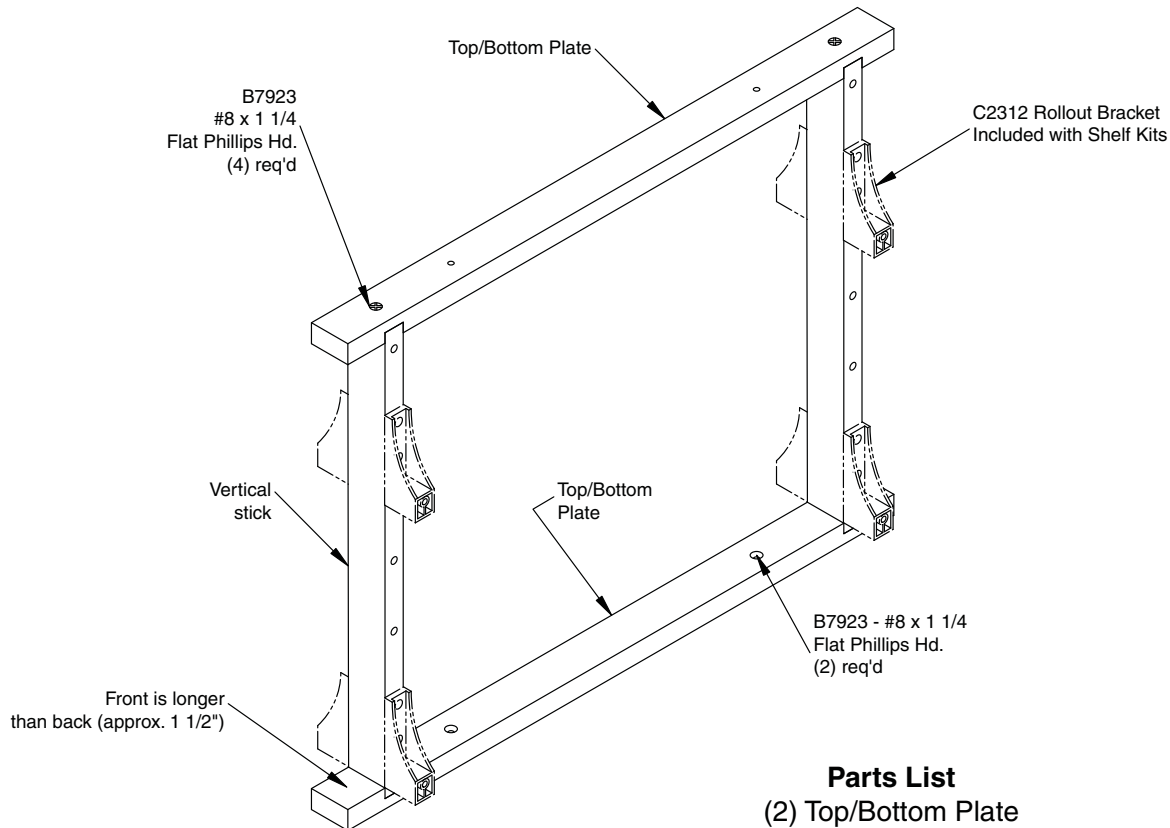
When installing in a cabinet with a center frame mullion, we recommend that you purchase a "CMK"—Center Mullion Kit. It is specifically designed for this application. Simply follow the instructions included with the kit.



N1089 (Rev. 04/2008)

# 24" SLIDING SHELF (SS) AND DEEP SLIDING SHELF (DSS) INSTALLATION INSTRUCTIONS (continued)

## CENTER MULLION KIT (CMK) FOR BASE CABINETS WITH CENTER FRAME MULLION



- Parts List**  
(2) Top/Bottom Plate  
(2) Vertical Stick  
(6) B7923 - #8 x 1 1/4 FPH Screw

### Instructions:

Locate (2) Top/Bottom Plates and determine the front of each by checking the distance from the end to the groove. It is approximately 1 1/2" from the front to the edge of the groove.

Assemble the framework by inserting the ends of the Vertical Sticks into the grooves in the Top/Bottom Plates and installing (4) screws into the predrilled holes located in each end of the Top/Bottom Plates.

Determine the location for each rollout and follow the instructions included with the kit for installing the C2312 Rollout Brackets and the drawer slide cabinet members to the cabinet end panels and the Center Mullion Kit. The C2312 Rollout Brackets and drawer slides should now be installed on the interior of the cabinet end panels and in corresponding locations on the Center Mullion Kit framework.

Position the Center Mullion Kit assembly in the center of the cabinet directly behind the cabinet frame mullion. **DO NOT FASTEN TO THE FLOOR AT THIS TIME.**

Install a rollout on each side of the Center Mullion Kit. This will center the kit in the cabinet. Hold the Center Mullion Kit in place while operating each rollout to make sure they function properly. With the rollouts in the retracted position, fasten the framework to the floor of the cabinet using (2) #8 x 1 1/4" screws.