

INSTALLATION INSTRUCTIONS

24" DEEP SSDSC & SSDSCDVD

KIT INCLUDES:

- (1) DOVETAIL SLIDING SHELF OR CD/DVD SLIDING SHELF
- (4) B7905 – #8 x $\frac{5}{8}$ TRUSS HEAD SCREWS
- (1) C2183 – SET OF FULL EXTENSION SOFT CLOSE SLIDES
- (8) B7934 – 11.5mm EURO SCREWS
- (4) C2312 – SS BRACKETS

Instructions for Single Door & Butt Door Base & Utility Cabinets

Installing the drawer slides:

1. Before beginning installation, check to be sure all components are present and read the instructions thoroughly. If you are installing multiple Sliding Shelves it may be necessary to remove or relocate any adjustable shelves that are installed in the cabinet.
2. Install the (4) SS Brackets at the desired locations inside the cabinet. This is accomplished by placing the peg on the back of the SS Bracket into the shelf pin hole at the desired location and installing an 11.5mm Euro screw* through the top hole in the bracket and into the corresponding shelf pin hole.

* **Note:** To prevent stripping, it is recommended that a **POZI tip screw driver** not a screw gun be used to install Euro Screws. If a POZI tip is not available, a standard phillips screw driver will work if used carefully.

3. Complete installation of the SS Brackets by installing a #8 x $\frac{5}{8}$ truss head screw through the center hole of each bracket and into the cabinet end panel.
4. Attach the Full Extension Drawer Guides to the SS Brackets at the appropriate location by holding each guide in place and installing an 11.5mm Euro screw through the hole in the guide and into the lower hole in the SS Bracket. For best results, it is recommended that you utilize the 4th hole from the front and the last hole at the rear in the lower row of holes (see diagram below).

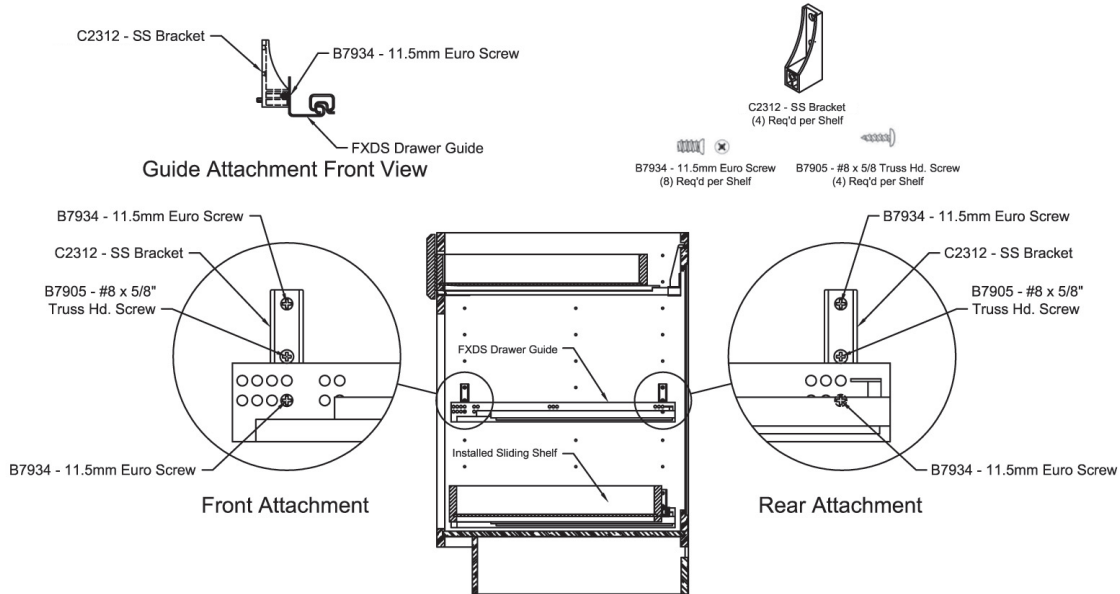
Installing the SSDSC or SSDSCDVD Sliding Shelf:

5. Start by pulling each Drawer Guide about $\frac{1}{2}$ – $\frac{2}{3}$ of the way out. Place the Sliding Shelf on top of the guides leaving about 4" between the back of the Sliding Shelf and the "hook" at the rear of the guide.
6. Close the Sliding Shelf allowing it to slide on top of the guides so that the locking mechanisms located on the under side of the Sliding Shelf engage the front of the guides and the "hooks" at the rear of the guides go into the holes in the rear of the Sliding Shelf. It is essential that these connections be made so that the Sliding Shelf is supported and functions properly.

24" DEEP SSDSC & SSDSCDVD INSTALLATION INSTRUCTIONS (continued)

Instructions for Base Cabinets with Center Frame Mullion

When installing the SSDSC or SSDSCDVD Sliding Shelf in a base cabinet with a center frame mullion, it is recommended that you purchase a "CMK" Center Mullion Kit. The "CMK" is specifically designed for this application. Follow the instructions with the "CMK" to install it inside the cabinet directly behind the frame center mullion then follow the instructions for installing the Sliding Shelves.



Center Mullion Kit (CMK) Installation Instructions

Locate (2) Top/Bottom Plates and determine the front of each by checking the distance from the end to the groove. It is approximately 1½" from the front to the edge of the groove.

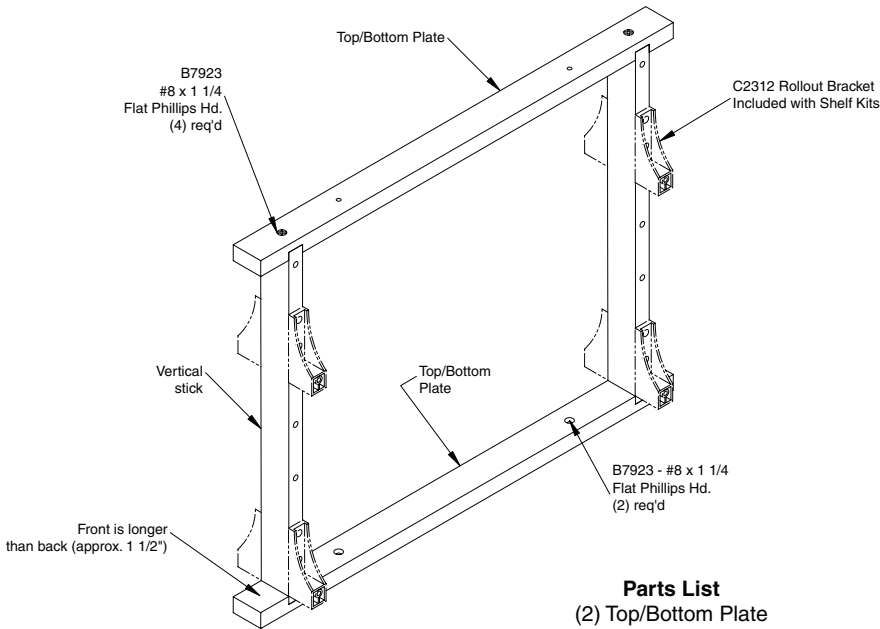
Assemble the framework by inserting the ends of the Vertical Sticks into the grooves in the Top/Bottom Plates and installing (4) screws into the predrilled holes located in each end of the Top/Bottom Plates.

Determine the location for each rollout and follow the instructions included with the kit for installing the C2312 Rollout Brackets and the drawer slide cabinet members to the cabinet end panels and the Center Mullion Kit.

The C2312 Rollout Brackets and drawer slides should now be installed on the interior of the cabinet end panels and in corresponding locations on the Center Mullion Kit framework.

Position the Center Mullion Kit assembly in the center of the cabinet directly behind the cabinet frame mullion. **DO NOT FASTEN TO THE FLOOR AT THIS TIME.**

Install a rollout on each side of the Center Mullion Kit. This will center the kit in the cabinet. Hold the Center Mullion Kit in place while operating each rollout to make sure they function properly. With the rollouts in the retracted position, fasten the framework to the floor of the cabinet using (2) #8 x 1¼" screws.



- Parts List**
 (2) Top/Bottom Plate
 (2) Vertical Stick
 (6) B7923 - #8 x 1 1/4 FPH Screw

N1523 (Rev. 08/2011)